

021350

Cyprus Anvil Mining
GRAN 15 (458267)
105-K-5

CYPRUS ANVIL MINING CORPORATION

DIAMOND DRILL CORE LOG

Hole Number: 77 LA-1

Fabric Orientation Diagram

Project: Lower Anvil Joint Venture
(Cyprus Anvil/Preussag Canada)

Location: Lower Anvil Creek, Map Area C-6

Claim: Gran 15

Terr. Plane Co-ords.: _____ N

_____ E

Grid Co-ords.: 152 W, 36+50N

All symmetry determinations looking

NW with S₂ dipping

SW with dip azimuth _____.

Elevation: Approx. 3,000'

Total Depth: 152 M

Purpose: To test Gravity Anomaly

Logged by: G. D. House

Date(s) Logged: _____

Drilling Contractor: Arctic Diamond Drilling

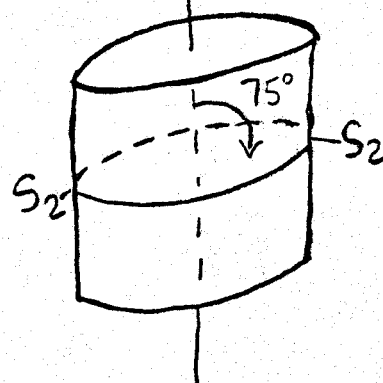
Core:	Size	From	To
BQ		15.4	152.0
_____		_____	_____
_____		_____	_____

Collar Cased and Capped: No

Started: 15/08/77

Completed: 20/08/77

1 hole 152 m





T+
ANVIL VCR

CANAMET WHSE *HOLE #1* WORK DONE DURING THE PERIOD AUGUST 16th-
AUG 31/77 AUGUST 25th, 1977
ATT GLEN SIMPSON
CYPRUS ANVIL MINING CORP
MESSAGE FROM ARCTIC DIAMOND DRILLING LTD WHITEHORSE YT REGARDING
LOWER ANVIL CREEK DRILLING
MOBILIZATION
RE CLAUSE 15 OF CONTRACT 1/2 BY 2,600.00 - 1,300.00
MOVING IN AN SETTING UP
304 MAN HOURS AT 15.85 PER HOUR ----- 4,818.40
HOLE NUMBER 1 90 DEG BY BQ
CORE DRILLING INCLUDING OVERBURDEN
0 TO 500' AT 15.60 PER FT ----- 7,500.00
HOLE NUMBER 2 - 90 DEG BY BQ **TOTAL 13,918.40**
MOVING
96 MANHOURS AT 15.85 PER HOUR ----- 1,521.60
OVERBURDEN
0 TO 120' AT 15.60 PER FT ----- 1,872.00
TOTAL COST TO DATE ---- 17,312.00
MURREY SMITH
ARCTIC DIAMOND DRILLING LTD
184 INDUSTRIAL RD
WHITEHORSE YT
CANAMET WHSE

INVOICE SUPPORT
ATTACHED

ck
[Signature]



ARCTIC DIAMOND DRILLING LTD.

184 Industrial Road, Whitehorse, Yukon Y1A 2V1 (403) 667-6434

INVOICE #1957

August 31, 1977

IN ACCOUNT WITH:

Cyprus Anvil Mining Corporation,
330 - 353 Burrard Street,
Vancouver, B.C.
V6C 2G8

Drilling charges for the period August 8 - 31/77 re: Lower Anvil Creek

Mobilization

Re: clause 15 of contract - 1/2 x \$2600.00 = \$1,300.00

Moving

Moving in and setting up on first hole

304 man hours @ \$15.85 per hour = 4,818.40 \$6,118.40

Hole: #77LA-1 x 90° x BQ

Overburden

0 - 50 = 50 feet @ \$15.60 per foot = \$ 780.00

Core Drilling

50 - 498 = 448 feet @ \$15.60 per foot = 6,988.80 \$7,768.80

Hole: #77LA-2 x 90° x BQ

Work done during the period Aug. 25-31st, 1977

Moving

282 man hours @ \$15.85 per hour = \$4,469.70

Overburden

0 - 50 = 50 feet @ \$15.60 per foot = \$ 780.00

Overburden @ Field Cost

60 man hours @ \$15.85 per hour = \$951.00

30 machine Hours @ \$9.00 per = 270.00 1,221.00 2,001.00 \$6,470.70

Less Costs submitted as assessment work on Sept. 1/77 \$ 3,393.60

Balance remaining for further recording \$ 3,077.10

TOTAL INVOICE

\$20,357.90



T+
ANVIL VCR

CANAMET WHSE
AUG 31/77
ATT GLEN SIMPSON
CYPRUS ANVIL MINING CORP
MESSAGE FROM ARCTIC DIAMOND DRILLING LTD WHITEHORSE YT REGARDING
LOWER ANVIL CREEK DRILLING
MOBILIZATION

RE CLAUSE 15 OF CONTRACT 1/2 BY 2,600.00 ← 1,300.00
MOVING IN AN SETTING UP

304 MAN HOURS AT 15.85 PER HOUR ----- 4,818.40

HOLE NUMBER 1 90 DEG BY BQ

CORE DRILLING INCLUDING OVERBURDEN

0 TO 500' AT 15.60 PER FT ----- 7,800.00

HOLE NUMBER 2 - 90 DEG BY BQ

HOLE #2.

WORK DONE DURING
THE PERIOD AUG. 25-
AUGUST 31, 1977

MOVING

96 MANHOURS AT 15.85 PER HOUR ----- 1,521.60

OVERBURDEN

0 TO 120' AT 15.60 PER FT ----- 1,872.00

TOTAL COST TO DATE ---- 17,312.00

TOTAL \$3,393.60

MURREY SMITH

ARCTIC DIAMOND DRILLING LTD

184 INDUSTRIAL RD

WHITEHORSE YT

CANAMET WHSE

*Invoice Support
Attached*

ARCTIC DIAMOND DRILLING LTD.

184 Industrial Road, Whitehorse, Yukon Y1A 2V1 (403) 667-6434

INVOICE #1957

August 31, 1977

IN ACCOUNT WITH:

Cyprus Anvil Mining Corporation,
330 - 353 Burrard Street,
Vancouver, B.C.
V6C 2G8

Drilling charges for the period August 8 - 31/77 re: Lower Anvil Creek

Mobilization

Re: clause 15 of contract - $1/2 \times \$2600.00 = \$1,300.00$

Moving

Moving in and setting up on first hole

304 man hours @ \$15.85 per hour = 4,818.40 \$6,118.40

Hole: #77LA-1 x 90° x BQ

Overburden

0 - 50 = 50 feet @ \$15.60 per foot = \$ 780.00

Core Drilling

50 - 498 = 448 feet @ \$15.60 per foot = 6,988.80 \$7,768.80

Hole: #77LA-2 x 90° x BQ

Work done during the period Aug. 25-31st, 1977

Moving

282 man hours @ \$15.85 per hour = \$4,469.70

Overburden

0 - 50 = 50 feet @ \$15.60 per foot = \$ 780.00

Overburden @ Field Cost

60 man hours @ \$15.85 per hour = \$951.00

30 machine Hours @ \$9.00 per = 270.00 1,221.00 2,001.00 \$6,470.70

Less Costs submitted as assessment work on Sept. 1/77 \$ 3,393.60

Balance remaining for further recording \$ 3,077.10

TOTAL INVOICE

\$20,357.90